

11823 / 257248**00-04 MERCEDES S-CLASS SEDAN****07/01/2020**

GROSS LOAD CAPACITY WHEN USED AS A WEIGHT CARRYING HITCH: 2,000 LBS. TRAILER WEIGHT & 200 LBS. TONGUE WEIGHT.

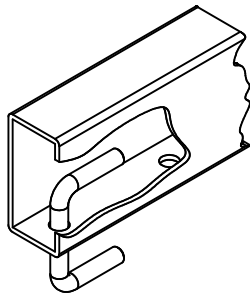
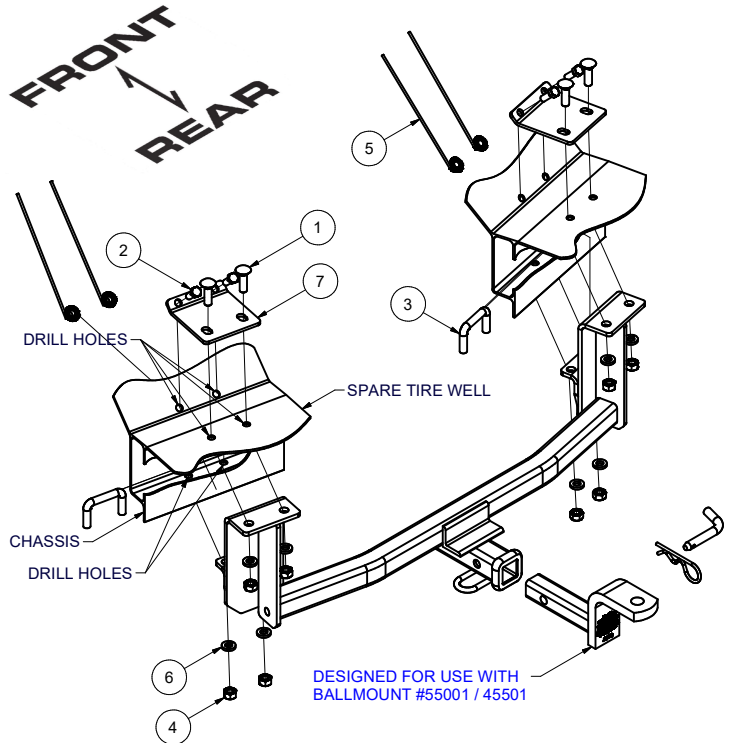
*****DO NOT EXCEED VEHICLE MANUFACTURER'S RECOMMENDED TOWING CAPACITY.*****

WARNING: ALL NON-TRAILER LOADS APPLIED TO THIS PRODUCT MUST BE SUPPORTED BY 18050 STABILIZING STRAPS.

**** FAILURE TO PROPERLY SUPPORT NON-TRAILER LOADS WILL VOID PRODUCT WARRANTY****

HAVING INSTALLATION QUESTIONS? CALL TECHNICAL SUPPORT AT 1-877-287-8634

Parts List				
ITEM	QTY	PART NUMBER	DESCRIPTION	
1	4	10-10282	BOLT,CAR,7/16-14 UNC,1-1/2,GRD8,YZ	
2	4	10-10481	HHCS,3/8-16 UNC,1,GRD8,YZ	
3	2	10-10482	U-BOLT,7/16-14 UNC,1-1/8,N/A,CZ	
4	8	20-00147	NUT,HEX,7/16-14 UNC,GRD8,YZ	
5	4	20-00184	NUT, HANDLE, SER-FLANGE,3/8-16 UNC,GRD8,CZ	
6	8	30-00184	WASHER,LOCK,7/16,YZ	
7	2	CM-11823-BP	.188 x 4.00 BACKING PLATE	

**U-BOLT
INSTALLATION**

HITCH WEIGHT: 24 LBS.

INSTALL TIME

PROFESSIONAL: 45 MINUTES

NOVICE (DIY): 90 MINUTES

INSTALL NOTES:

- DRILLING REQUIRED
- TEMPORARILY REMOVE SILL PLATE
- SILICONE SEAL HARDWARE

INSTALLATION STEPS

1. This hitch fits up to chassis panels under the vehicle in front of the bumper structure with the hitch cross tube passing behind the spare tire well. Two reinforcing plates provided connect to the hitch side plates and install inside the vehicle's trunk.
2. Remove the plastic sill plate and any flooring material in the rear of the tire well area exposing all metal surfaces.
3. Lift the hitch into position on the vehicle with the driver and passenger side plates fitting to horizontal chassis surfaces. A vertical body panel fits between the side plates on both the driver and passenger side of the vehicle. Center the hitch on the vehicle and use the hitch as a template to mark and drill (4) 1/2" holes through the chassis.
4. With the hitch removed, install rectangular U-bolts in the vehicle. Carefully lift the hitch in position over the U-bolts and fasten the hitch in place.
5. Using the hitch as a template, drill (4) holes for 7/16" diameter carriage bolts through spare tire well. Inside the spare tire well, position the CM-11823-BP plates with carriage bolts in the slotted holes passing through the floor and hitch side plates. Fasten carriage bolts with hex nuts and lock washers as shown.
6. At the (4) round holes in CM-11823-BP plates, drill through the body panel for 3/8" diameter bolts. Install 3/8" fasteners as shown placing bolts from inside the vehicle. Handle nuts are placed outside the vehicle.
7. Torque all 3/8" fasteners to 37 lb-ft, and all 7/16" fasteners to 59 lb-ft.
8. Use silicone sealant to seal hardware installed through spare tire well.
9. Reinstall sill plate and flooring material removed in Step 2.

PERIODICALLY CHECK THIS RECEIVER HITCH TO ENSURE THAT ALL FASTENERS ARE TIGHT AND THAT ALL STRUCTURAL COMPONENTS ARE SOUND.

Curt Manufacturing Inc., warrants this product to be free of defects in material and/or workmanship at the time of retail purchase by the original purchaser. If the product is found to be defective, Curt Manufacturing Inc., may repair or replace the product, at their option, when the product is returned, prepaid, with proof of purchase. Alteration to, misuse of, or improper installation of this product voids the warranty. Curt Manufacturing Inc.'s liability is limited to repair or replacement of products found to be defective, and specifically excludes liability for incidental or consequential loss or damage.